

DIY Installation Guide

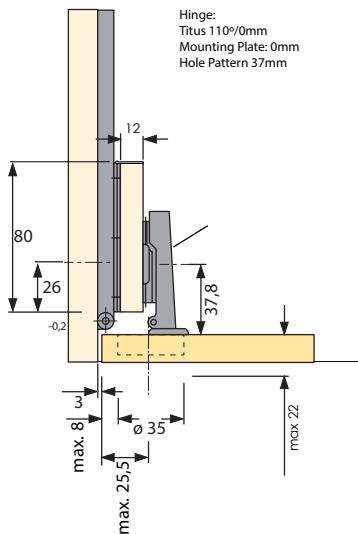
Pocket Door System



Gelmar

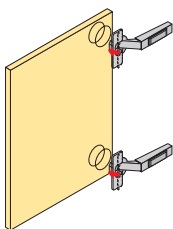
Installation

Technical Diagrams

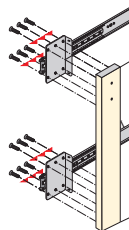


Assembly

1

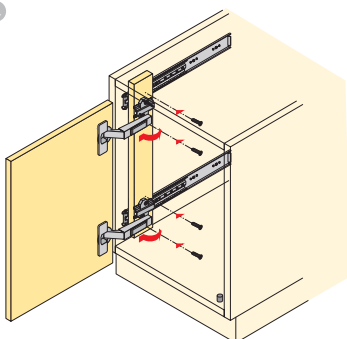


2

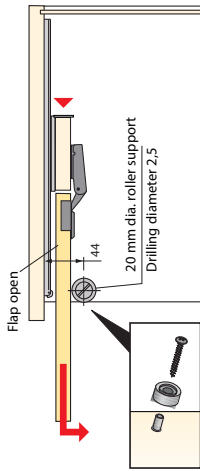
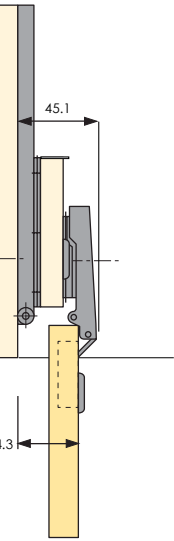


*Follow Strip must be

4

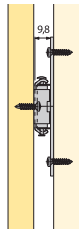
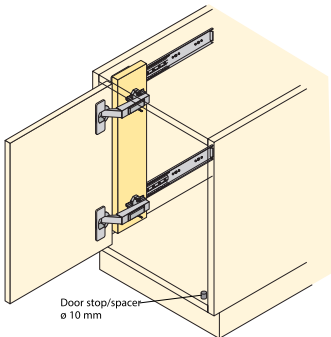
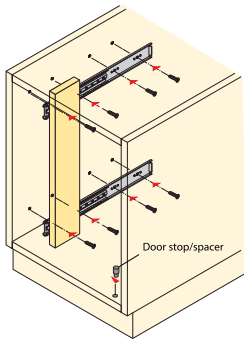


5



12mm thick



3



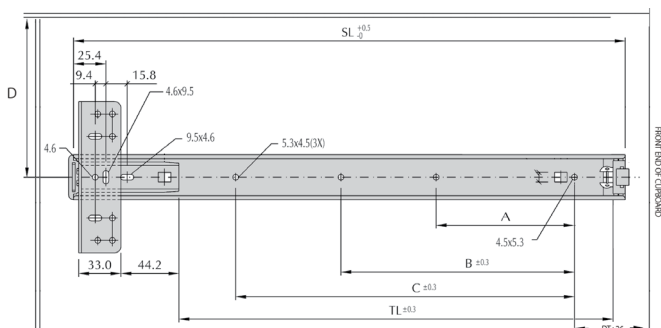
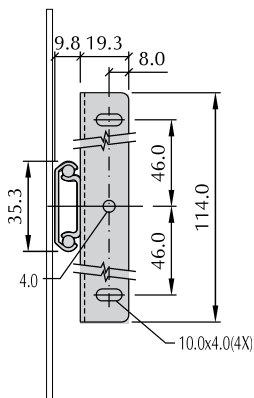
Pocket Door System

45mm Full Extension Slide



Code	L	A	B	C	D	Travel Length (TL)		
7035	457	103.4	230	308.9	Min 60	366,6	9kg / pair	2 pairs

Slide Dimensions



FRONT END OF CLIPBOARD