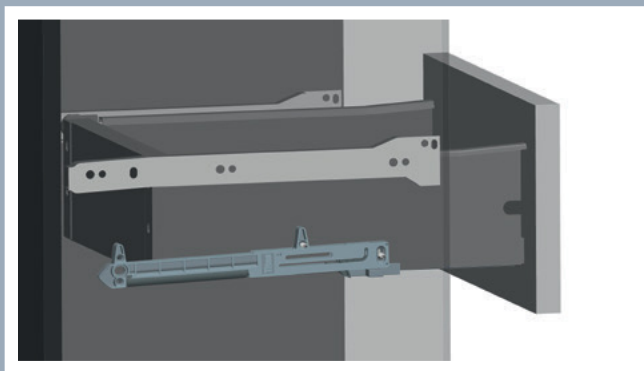


Titus



Titusoft MD

Soft closing system
for **metal box**



Gelmar

Titusoft MD Soft closing system for m



Titusoft mechanism

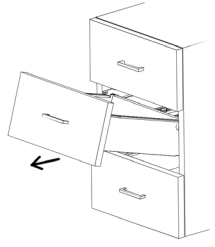


Activator

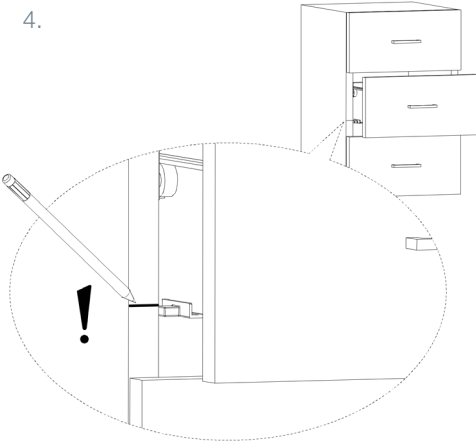


Mounting jig

1.



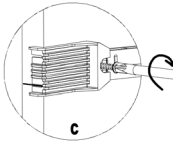
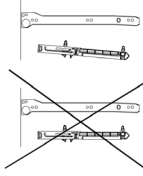
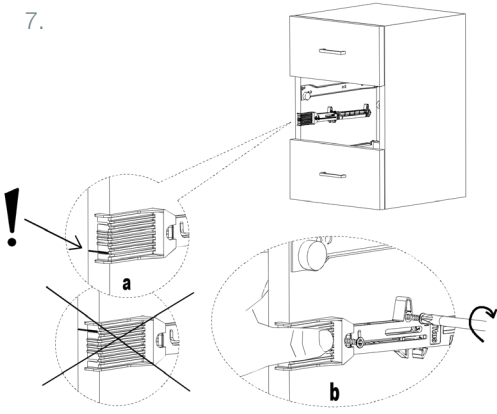
4.



5.

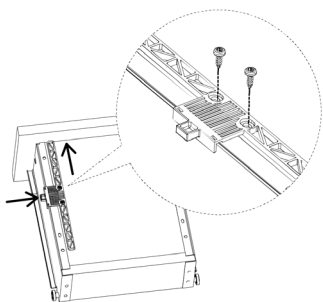


7.

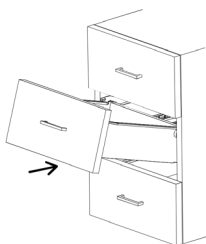


etal box

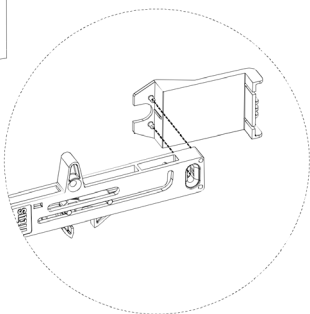
2.



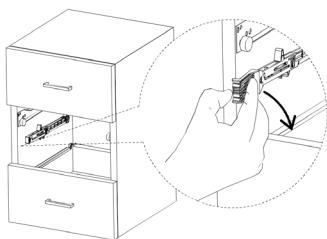
3.



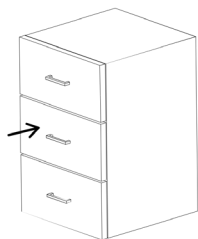
6.



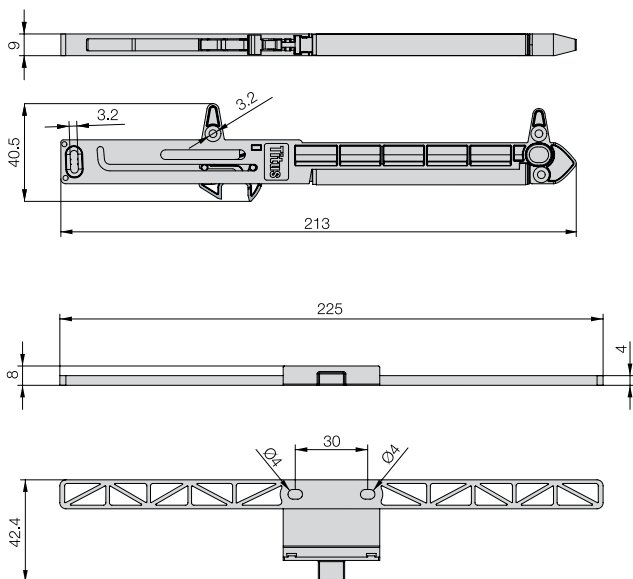
8.



9.

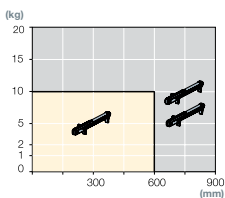


Technical details



- One-for all' soft closing for single skin metal boxes
- Allows for easy factory mounting or retrofit application
- Intuitive positioning
- Preserve the life-time of the drawer

Capacity chart



Mount 1 or 2 Titusoft mechanisms depending on drawer weight and width

Further explanations > go to:



<http://www.youtube.com/watch?v=Qplq8uKGbng>

A trial mounting is always recommended. Please contact Titus Group or your local distributor for further technical assistance.