

LIBRA H11 FITTING GUIDE ^[1]

* Dimensions in mm ^[2]

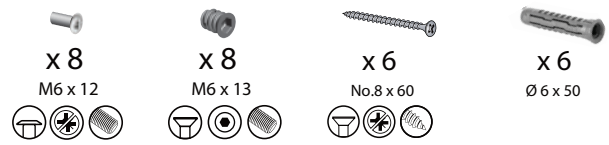


LIBRA H11 hanger - left ^[3]

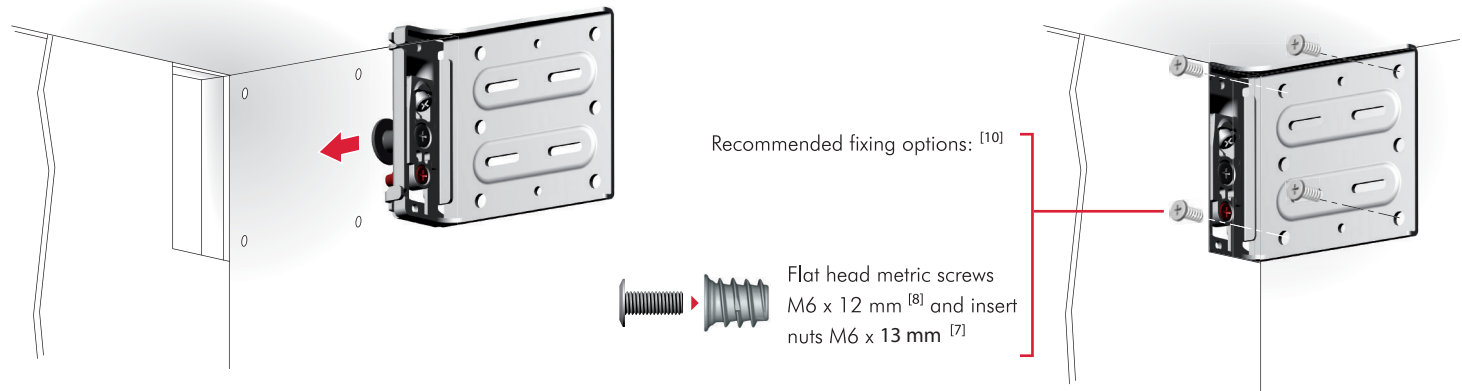
LIBRA H11 hanger - right ^[4]



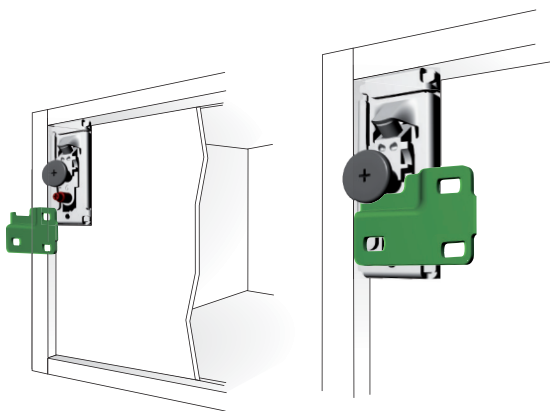
LIBRA WPS wall plates ^[5]



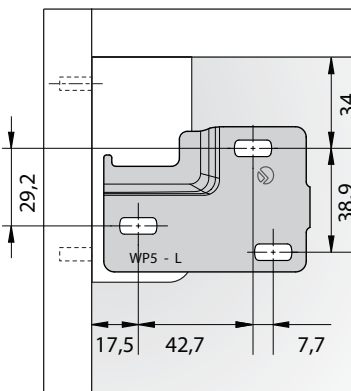
INSTALLATION UNDER THE CABINET TOP ^[9]



INSTALLATION ON THE WALL ^[11]



DRILLING PLAN FOR THE WALL PLATE ^[13]



COVER CAP INSERTING ^[14]



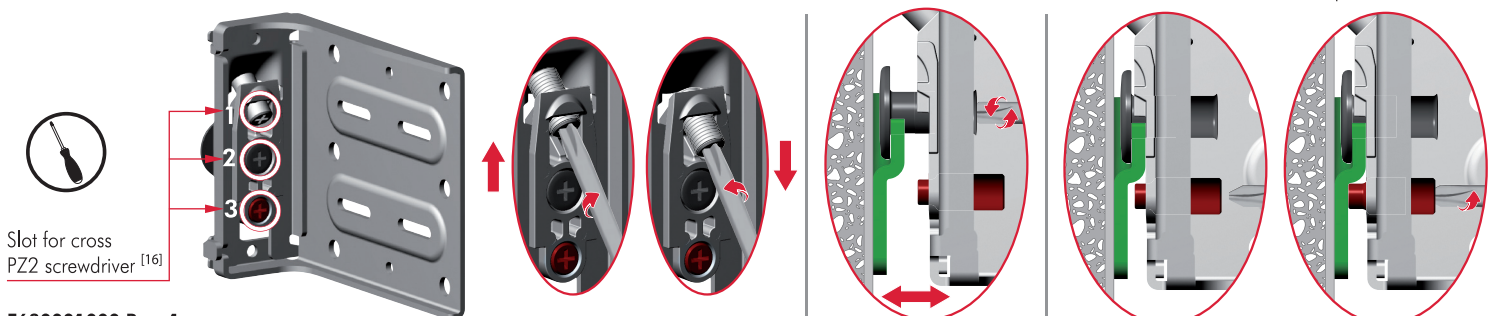
It is the responsibility of the customer:
 - to ensure that the wall is of a suitable quality to hold the unit fixing in place.
 - to use the proper hardware fittings according to the construction of the wall. ^[12]

ADJUSTMENTS ^[15]

1
 VERTICAL ADJUSTMENT ^[17]
 12 mm

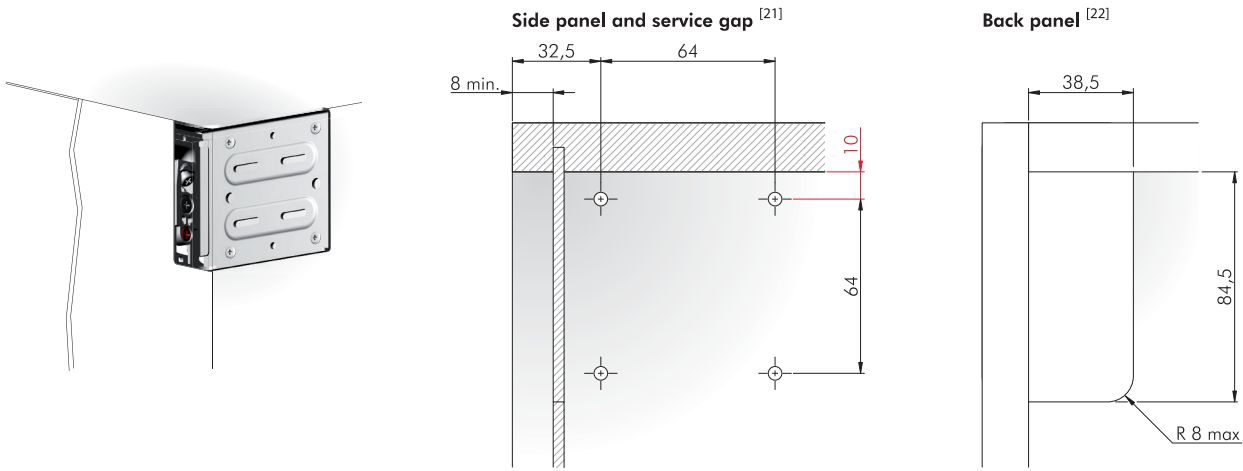
2
 IN-DEPTH ADJUSTMENT ^[18]
 10 mm

3
 ANTI-TURNOVER LOCKING ^[19]
 Stop screwing the red bolt when it touches the wall plate

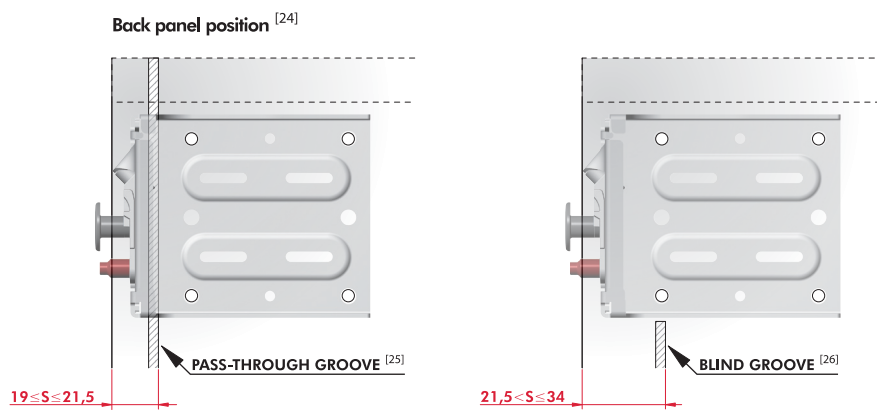
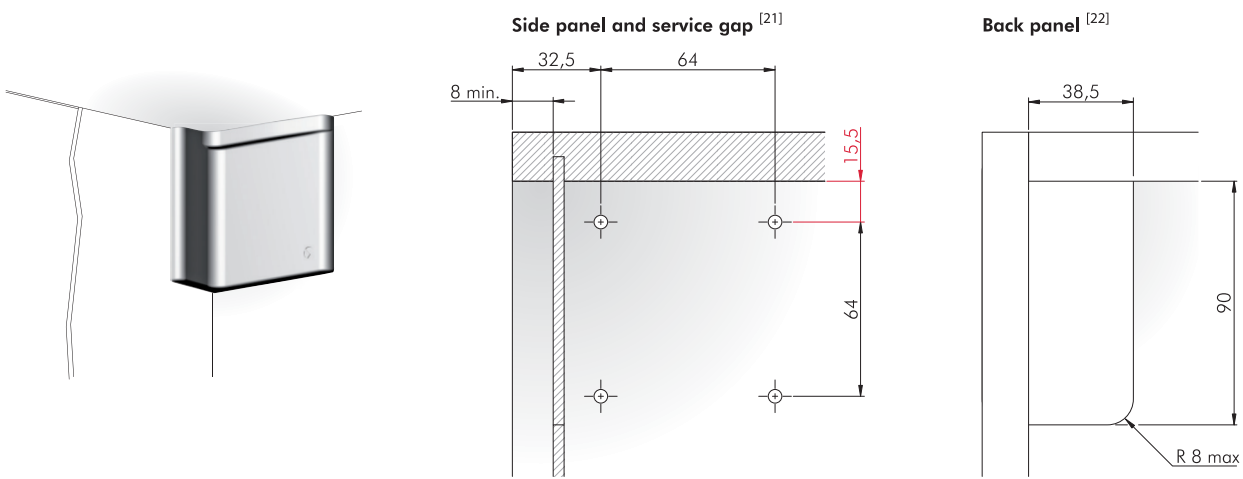


INSTALLATION UNDER THE CABINET TOP ^[9]

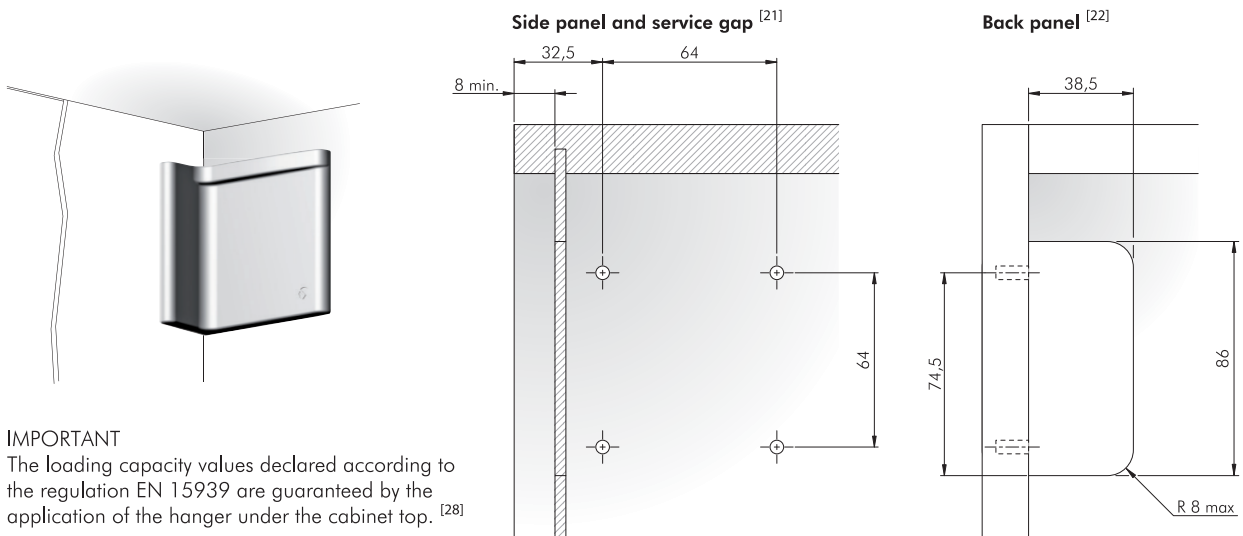
DRILLING PLAN WITHOUT COVER CAP ^[20]



DRILLING PLAN WITH COVER CAP ^[23]



ALTERNATIVE INSTALLATION ^[27]



IMPORTANT
 The loading capacity values declared according to the regulation EN 15939 are guaranteed by the application of the hanger under the cabinet top. ^[28]