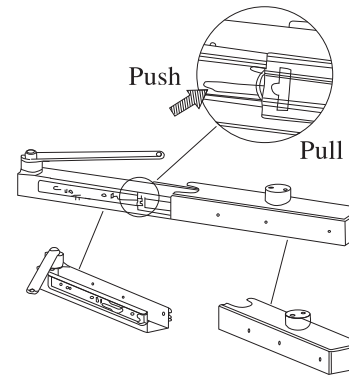
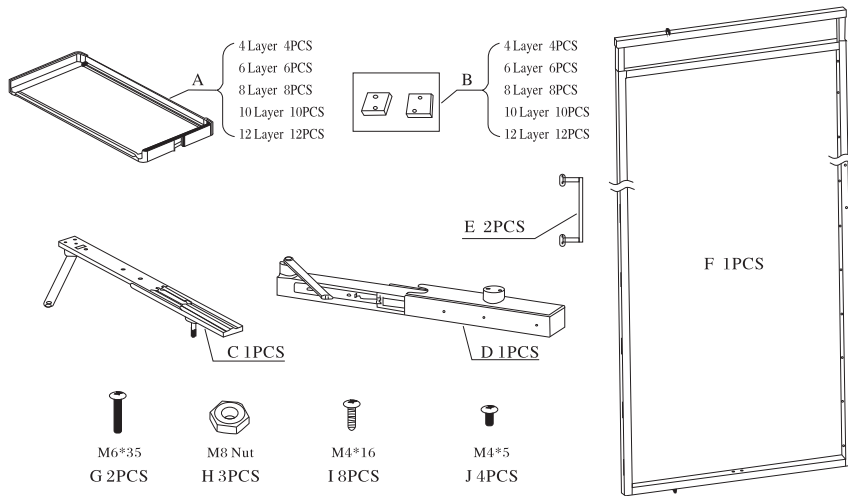
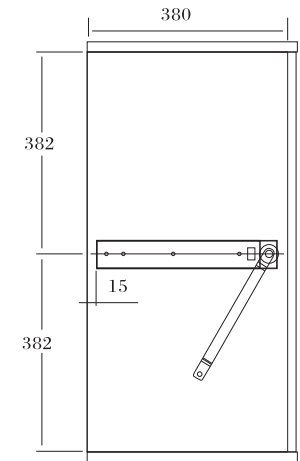


Accessories list:



Bottom rail (D) split method is shown in the diagram, the guide rail buckle is push upward in the direction of the arrow, the other side of the guide rail buckle is pushed downward, and the guide rail cover is pulled out at the same time. (The split method of top guideway C is similar)

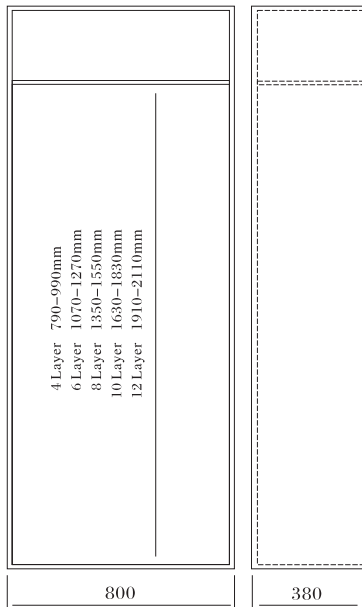


Top guide rail installation plan

1

2-1

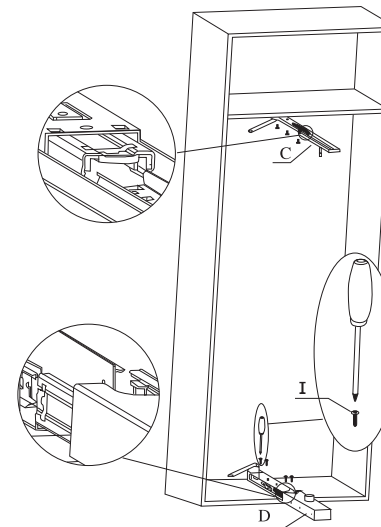
Reference table for various types and specifications corresponding to the size of cabinets:



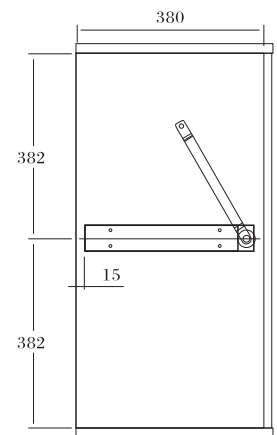
SIZE	Fit Cabinet Width	Layers
700*360*(790-990) mm	≥764	4 Layer
700*360*(1070-1270) mm		6 Layer
700*360*(1350-1550) mm		8 Layer
700*360*(1630-1830) mm		10 Layer
700*360*(1910-2110) mm		12 Layer

Installation Steps:

Please complete the assembly in the following order:
1、2、3、4



After locking screw, install guide rail cover



Bottom guide rail installation plan

2-3

2-2

