

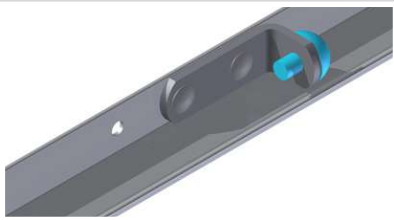
COMPONENTS

SPECIFICATIONS

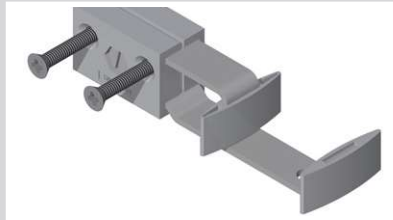
- Maximum Door Weight: 30kg
- Maximum Door Height: 2100mm
- Maximum Door Width: 900mm
- Door Thickness: 44mm
- Suitable for standard hardware store hollow core doors 813mm and 762mm.
- If fixing guide into masonry or tile, you will need 2 x S6x25 wall plugs for Cosy guide
- Installation Time: 60min - 90min

TOOLBOX REQUIREMENTS

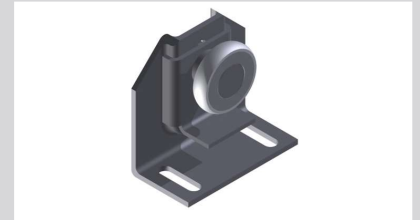
- M6 ALLEN KEY
- POWER DRILL
- 6MM DRILL BIT
- HAMMER
- POZI-HEAD SCREWDRIVER
- TAPE MEASURE
- LEVEL



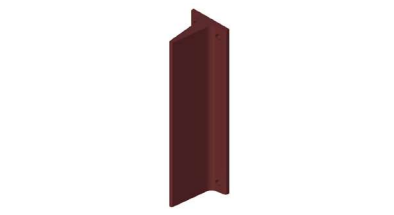
Cosy Track with Cosy TrackStop



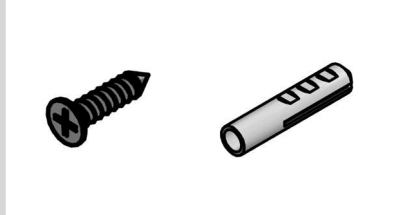
Cosy Guide x 1



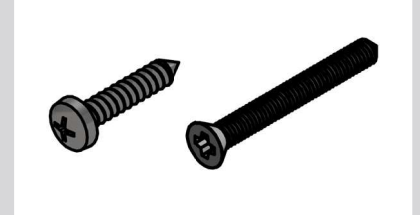
Cosy Deluxe Hanger x 2



96TP Handle Brown x 2



- 4x13 CSK Self Tapping Screw x 8
- S6x30 x 5

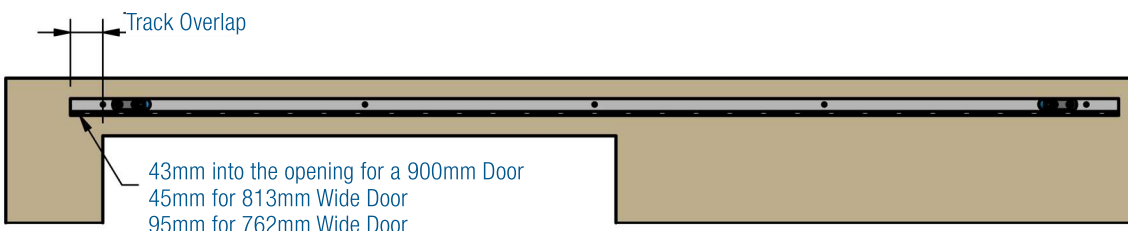


- 8x25 Pan Head Screw x 9
- 4x38 CSK HD Head Screw x 2

INSTALLATION INSTRUCTIONS

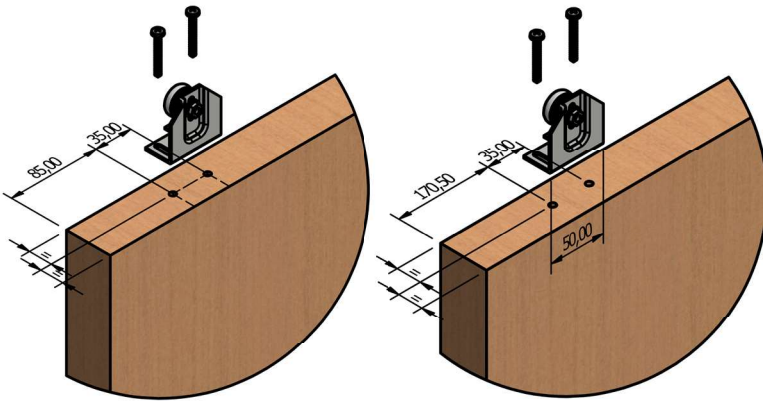
STEP 1: TRACK FIXING

1. Draw a line on the wall 35mm + the door height above the finished floor level. Make sure that it is level and parallel to the floor.
2. Position the track according to the layout as shown.
3. Mark hole positions.
4. Drill holes in wall using a 6 diameter masonry drill.
5. Fix the track with S6x30 wall plugs and 8x25 pan head screws.



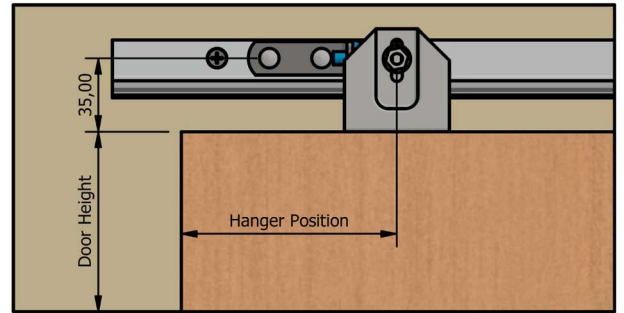
STEP 2: HANGER INSTALLATION

HANGER POSITION



Holes for hanger fixing
- 813mm wide door

Holes for hanger fixing
- 900mm wide door



DETAIL A

Door edge to centre of hanger:

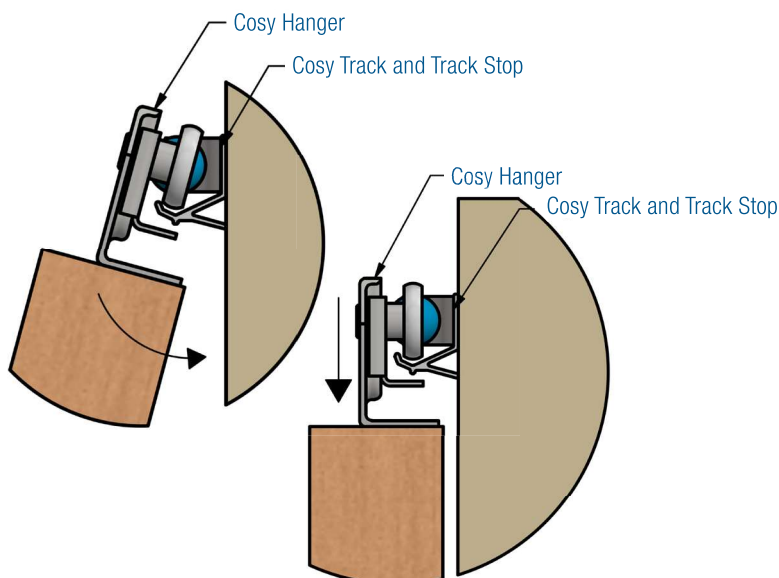
- For 762mm wide door set hanger 50mm from edge.
- For 813mm wide door set hanger 100mm from edge.
- For 900mm Wide Door Set hanger 188mm from edge.

HANGER FIXING

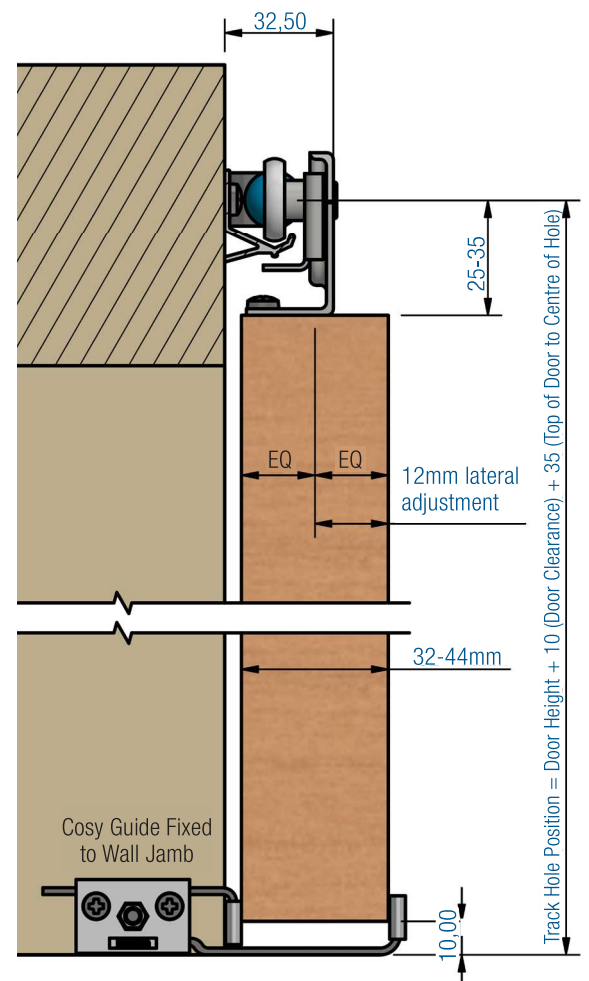
1. Drill 4mm diameter holes in the top of door as shown.
2. Fix hangers to doors using 8x25 pan head screws.

STEP 3: HANGING THE DOOR

1. Offer door to track at an angle so that the hanger wheels locate into the track.
2. Slowly let the door hang vertically and make sure that it runs smoothly.
3. Adjust laterally by loosening the hanger fixing screws.
4. Adjust for height by loosening the M6 flange nut on the back of the hanger wheels.
5. Tighten all hanger nuts and fixings once desired door position has been achieved.
6. Fix Cosy guide to the door frame and adjust for door thickness. See Cosy guide fixing details on the next page.

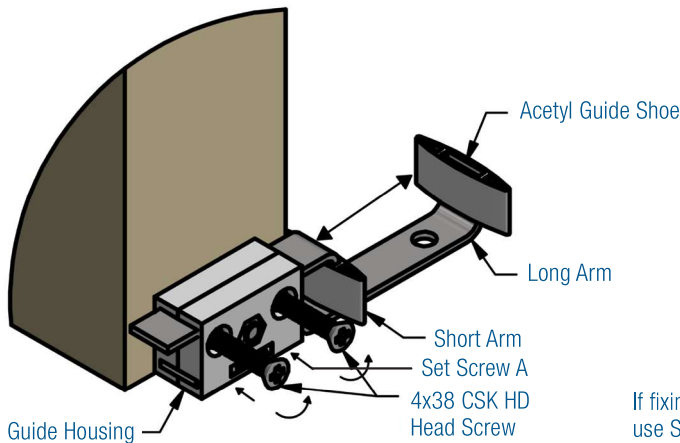


Cross section through Door NTS



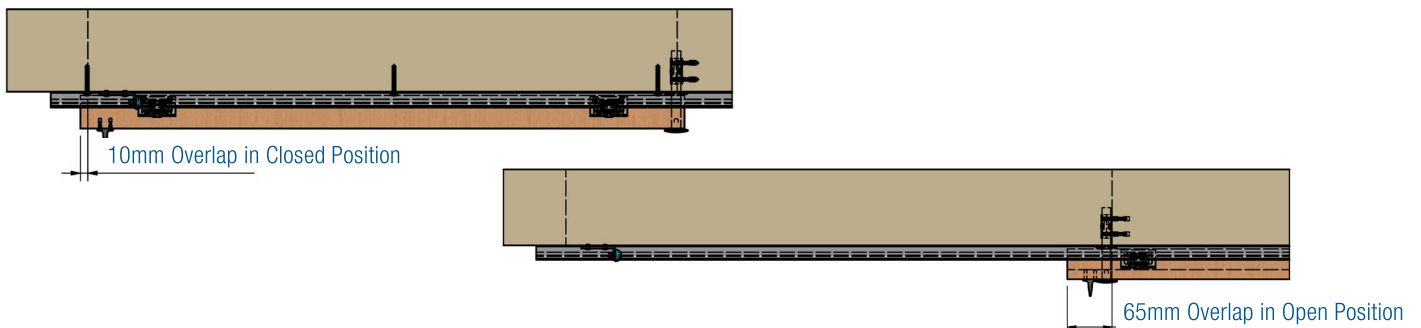
STEP 4: COSY GUIDE INSTALLATION

1. Using a flat screwdriver, loosen set screw A so that the short arm of the guide can be adjusted by sliding it into or out of the white guide housing.
2. Place the guide against the door jamb as shown ensuring clearance to both the floor and underside of the door.
3. Adjust the short top arm of the guide such that the door slides between the two white guide shoes with minimal clearance and allowing for a gap between the door and the wall. A nominal gap of 5mm is recommended.
4. Once desired adjustment has been achieved, mark the position of the fixing holes, insert the S6x25 plugs (if Masonry) and tighten set screw A to fix position of the short arm.
5. Remove the guide from the jamb and drill the fixing holes as previously marked.
6. Using the 4.8x38 Pozi screws provided, fix the guide to the jamb and test the doors operation.
7. If the door is either binding on the guide or if there is too much lateral movement, adjust the top guide arm as previously explained. Remember to always tighten set screw A once the final door and guide position has been set.

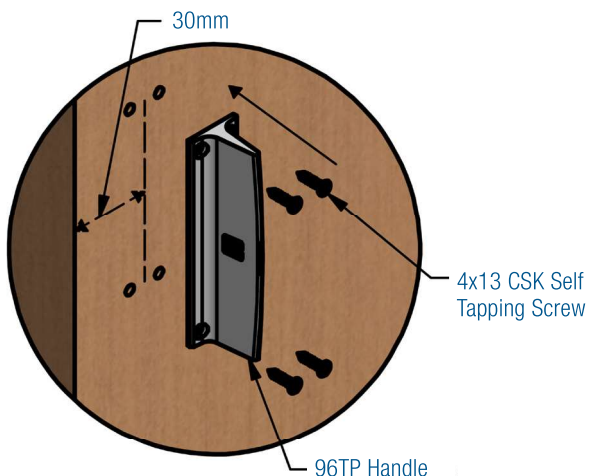


If fixing into masonry or tile, please be sure to use S6x25 Wall Plugs (not included in the set)

Door Position



STEP 5: 96TP HANDLE INSTALLATION



- Place centre of handle 30mm from edge of door
- Mark the holes and drill the holes
- Screw the handle to the door
- Height of handle is per the clients requirements or +/- 1m to 1.2m from the bottom of the door