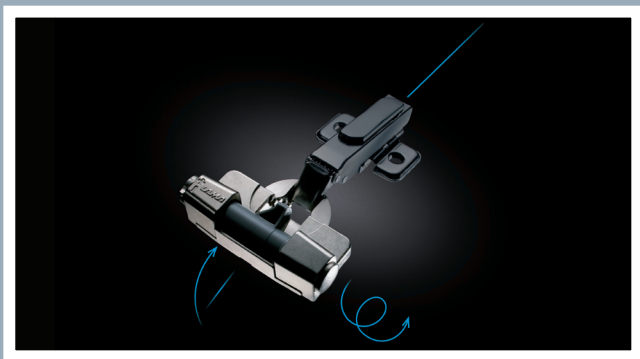




Concealed Hinges

Product Guide

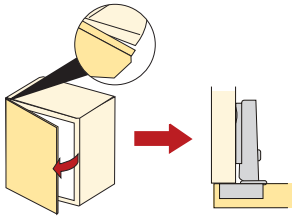


Gelmar

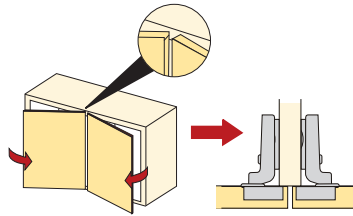
Concealed Hinges

Hinge Types

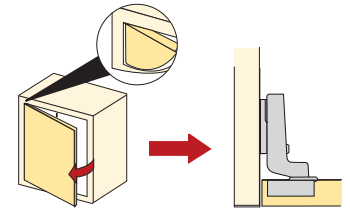
1. Full overlay



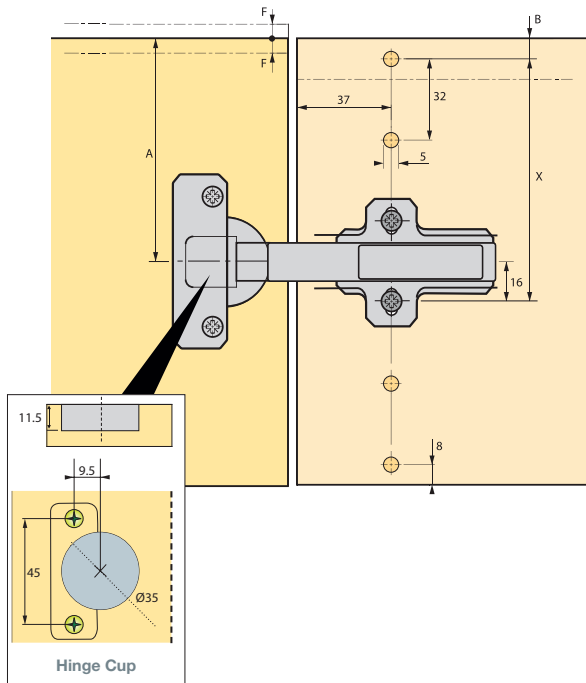
2. Half overlay



3. Inset



Drilling Pattern



A = distance from upper edge of door to centre of hinge cup
 B = distance from upper edge of side to centre of dowel
 F = door overhang or door reveal
 X = multiple of 32 mm

Formula for calculation of hinge distance:

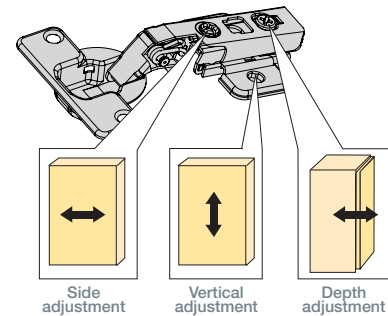
$$A = B + X - 16$$

$$8.0 + 96 - 16 = 88 \text{ mm}$$

A desired door reveal F is to be subtracted.

A desired door overhang F is to be added.

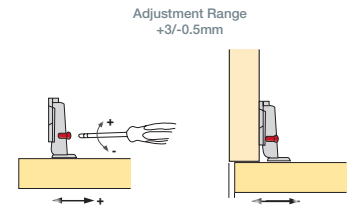
Adjustment Possibilities



Side Adjustment

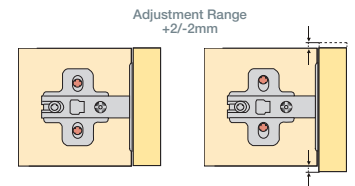
The side adjustment aligns the door with the side of the cabinet.

1. Release fixing screw
2. Make the necessary adjustment by turning the adjusting screw
3. Tighten the fixing screw



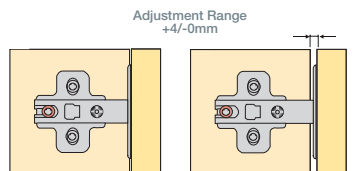
Vertical Adjustment

For height adjustment the two mounting plate fixing screws have to be temporarily released while making the adjustment.



Depth Adjustment

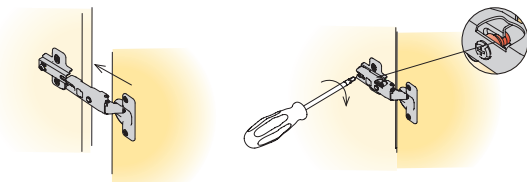
The system enables easy adjustment of the depth in order to adjust the door in a way that fits well on the side of the cabinet.



Slide-on system

The hinge is assembled by sliding the hinge arm over the mounting plate. The lower part of the horizontal set-up screw must fit correctly into

the groove on the mounting plate. After adjusting the door depth, the mounting procedure is finished by tightening the fixing screw.

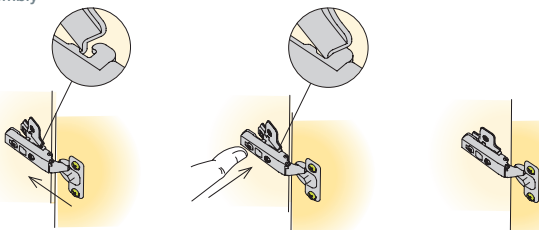


Clip-on system

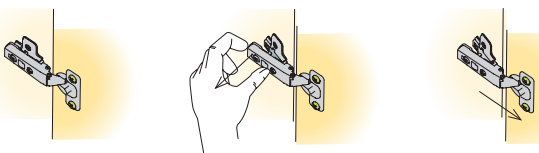
The door is assembled on the cabinet side simply by fixing the two hooks under the hinge arm on the outer part of the mounting plate and

pressing gently on the rear part of the hinge arm. For disassembly press the button on the rear of the hinge arm.

Assembly



Disassembly



How many hinges per door?

Check the specification for the number of hinges per door by considering both door height and weight.

Concealed hinges with $\varnothing 35\text{mm}$ hinge cup diameter

